

RO MEMBRANE HOUSING

4" End PORT FRP

Overview

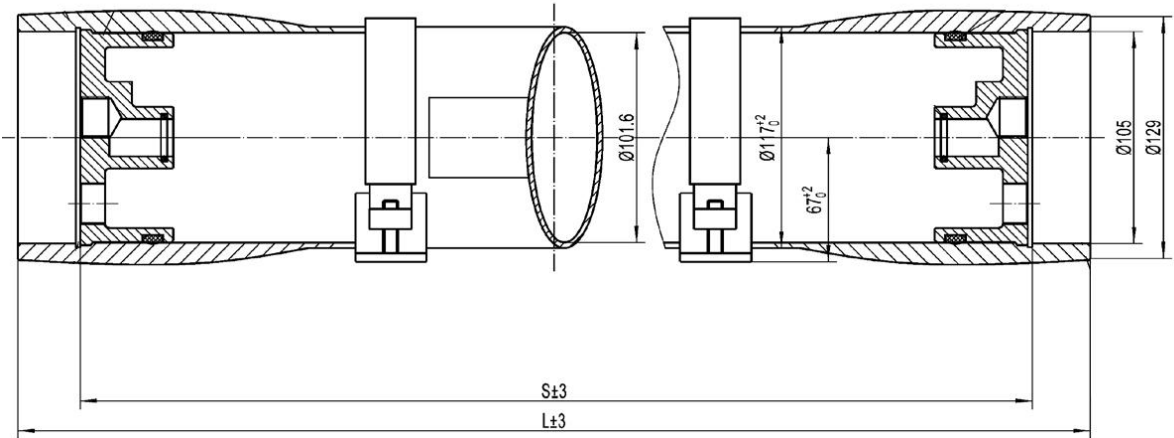
The fiberglass reverse osmosis membrane housing is a key component used in water treatment systems, offering numerous advantages. Firstly, fiberglass membrane housing is known for its high strength and durability, allowing it to withstand high-pressure environments and effectively resist external physical impacts, thereby reducing replacement or maintenance costs due to accidental damage. Additionally, fiberglass material has high chemical stability and strong resistance to chemical substances and common components in water, offering excellent anti-corrosion properties, which are especially beneficial for seawater and industrial wastewater treatment. Compared to traditional metal housings, fiberglass membrane housing is lighter in weight, making it easier to install and transport, thereby reducing labor costs and structural load, and is suitable for various complex installation environments. It also offers design flexibility, as it can be customized according to system requirements, with a variety of sizes and interface types available. Moreover, fiberglass membrane housing has excellent insulation properties, enhancing the safety and heat resistance of system operation. Its economic advantages are also significant, as the low maintenance frequency and costs, combined with a long service life due to its durability and corrosion resistance, make it a cost-effective choice. In summary, due to its outstanding performance in reliability and economic efficiency, fiberglass reverse osmosis membrane housing is an ideal choice in the water treatment industry, widely used in various scenarios such as seawater desalination, municipal water supply, and industrial wastewater treatment.

Product Specifications

	4" End Port / Low Pressure	4" End Port / High Pressure
Model	W40E300/450	W40E600/1000/1200
Design Pressure	300/450 Psi	600/1000/1200 Psi
Cyclic Test	100,000 times	100,000 times
Burst Pressure	6	6
Elements Quantity	1-4	1-4
Operating pH Range	pH 3-11	pH 3-11
Operating Temperature	-10°C-66°C (14°F -150°F)	-10°C-66°C (14°F -150°F)
Feed / Concentration Port	1"	1"
Pemeate Port	3/4"	3/4"



4" FRP Housing Size

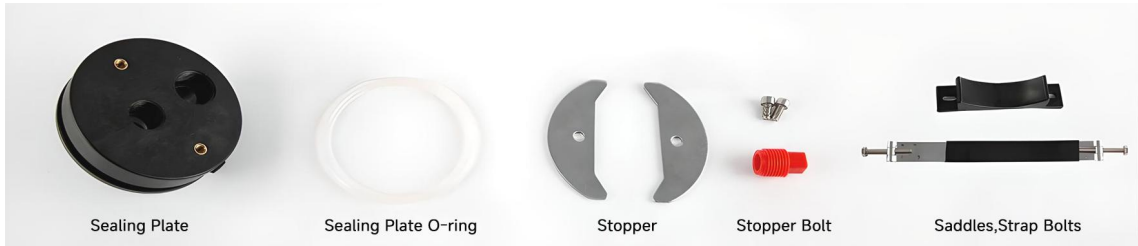


Membrane Quantity	1	2	3	4
300PSI	124*124*1130	124*124*2146	124*124*3162	124*124*4178
450PSI	126*126*1130	126*126*2146	126*126*3162	126*126*4178
600PSI	129*129*1130	129*129*2146	129*129*3162	129*129*4178
1000PSI	134*134*1140	134*134*2156	134*134*3172	134*134*4188

Unit: mm (D1*D2*L)



4" End Port / Low Pressure



4" End Port / High Pressure

