

RO MEMBRANE HOUSING

4" Side PORT FRP

Overview

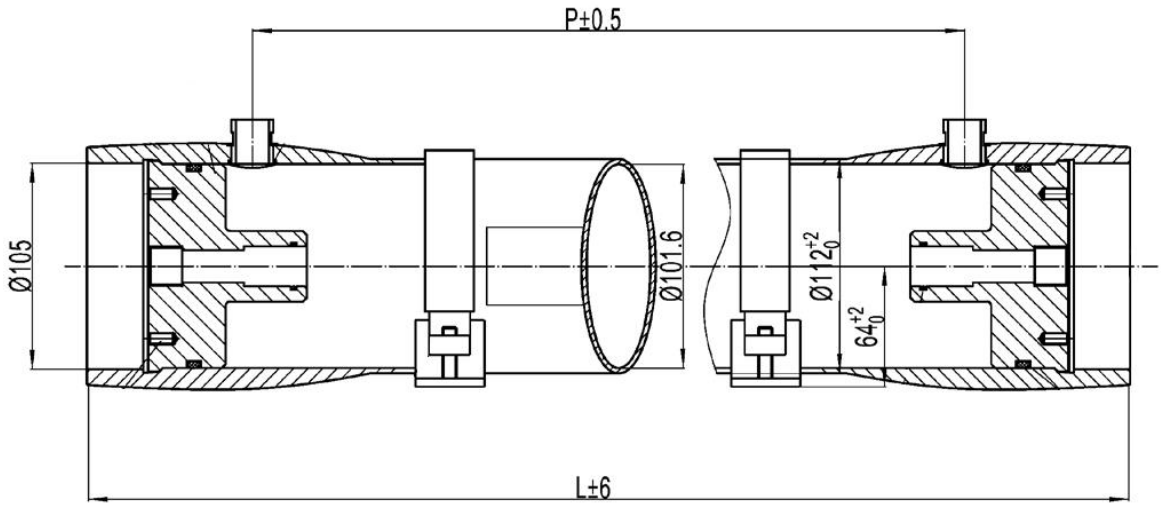
The fiberglass reverse osmosis membrane housing is a key component used in water treatment systems, offering numerous advantages. Firstly, fiberglass membrane housing is known for its high strength and durability, allowing it to withstand high-pressure environments and effectively resist external physical impacts, thereby reducing replacement or maintenance costs due to accidental damage. Additionally, fiberglass material has high chemical stability and strong resistance to chemical substances and common components in water, offering excellent anti-corrosion properties, which are especially beneficial for seawater and industrial wastewater treatment. Compared to traditional metal housings, fiberglass membrane housing is lighter in weight, making it easier to install and transport, thereby reducing labor costs and structural load, and is suitable for various complex installation environments. It also offers design flexibility, as it can be customized according to system requirements, with a variety of sizes and interface types available. Moreover, fiberglass membrane housing has excellent insulation properties, enhancing the safety and heat resistance of system operation. Its economic advantages are also significant, as the low maintenance frequency and costs, combined with a long service life due to its durability and corrosion resistance, make it a cost-effective choice. In summary, due to its outstanding performance in reliability and economic efficiency, fiberglass reverse osmosis membrane housing is an ideal choice in the water treatment industry, widely used in various scenarios such as seawater desalination, municipal water supply, and industrial wastewater treatment.

Product Specifications

	4" Side Port / Low Pressure	4" Side Port / High Pressure
Model	W40S300/450	W40S600/1000
Design Pressure	300/450 Psi	600/1000 Psi
Cyclic Test	100,000 times	100,000 times
Burst Pressure	6	6
Elements Quantity	1-4	1-4
Operating pH Range	pH 3-11	pH 3-11
Operating Temperature	-10°C-66°C (14°F -150°F)	-10°C-66°C (14°F -150°F)
Feed / Concentration Port	1"	1"
Pemeate Port	3/4"	3/4"



4" FRP Housing Size



Membrane Quantity	1	2	3	4
300PSI	125*125*1252	125*125*2268	125*125*3284	125*125*4300
450PSI	125*125*1258	125*125*2274	125*125*3290	125*125*4306
600PSI	125*125*1425	125*125*2441	125*125*3457	125*125*4473
1000PSI	125*125*1435	125*125*2451	125*125*3467	125*125*4483

Unit: mm (D1*D2*L)



4" Side Port / Low Pressure



4" Side Port / High Pressure

