

RO MEMBRANE HOUSING

8" END PORT

Overview

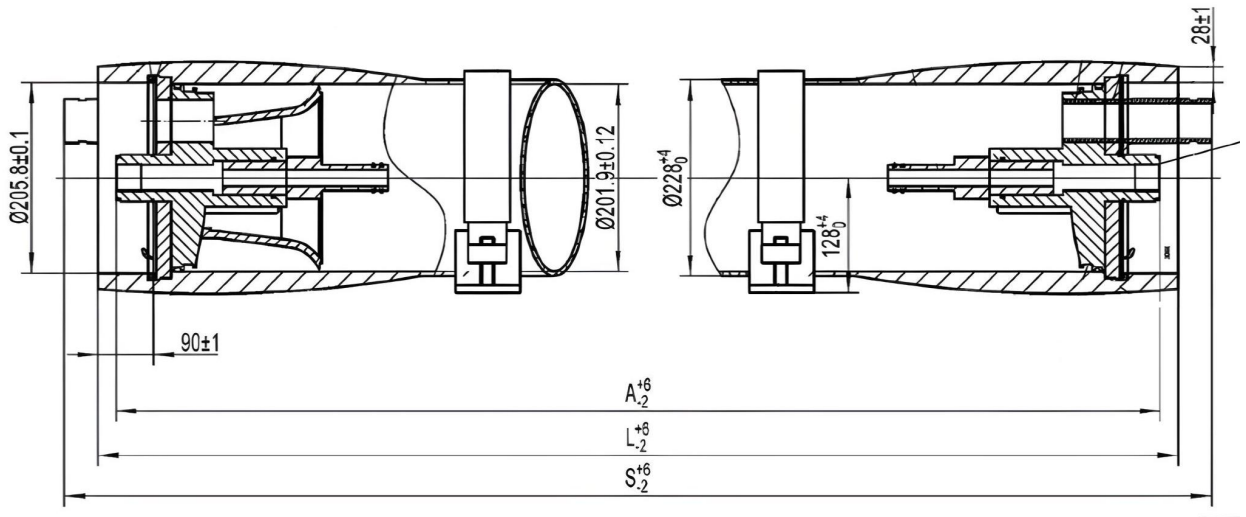
The fiberglass reverse osmosis membrane housing is a key component used in water treatment systems, offering numerous advantages. Firstly, fiberglass membrane housing is known for its high strength and durability, allowing it to withstand high-pressure environments and effectively resist external physical impacts, thereby reducing replacement or maintenance costs due to accidental damage. Additionally, fiberglass material has high chemical stability and strong resistance to chemical substances and common components in water, offering excellent anti-corrosion properties, which are especially beneficial for seawater and industrial wastewater treatment. Compared to traditional metal housings, fiberglass membrane housing is lighter in weight, making it easier to install and transport, thereby reducing labor costs and structural load, and is suitable for various complex installation environments. It also offers design flexibility, as it can be customized according to system requirements, with a variety of sizes and interface types available. Moreover, fiberglass membrane housing has excellent insulation properties, enhancing the safety and heat resistance of system operation. Its economic advantages are also significant, as the low maintenance frequency and costs, combined with a long service life due to its durability and corrosion resistance, make it a cost-effective choice. In summary, due to its outstanding performance in reliability and economic efficiency, fiberglass reverse osmosis membrane housing is an ideal choice in the water treatment industry, widely used in various scenarios such as seawater desalination, municipal water supply, and industrial wastewater treatment.

Product Specifications

	8" End Port / Low Pressure	8" End Port / High Pressure
Model	W80E300/450	W80E600/1000/1200
Design Pressure	300/450 Psi	600/1000/1200 Psi
Cyclic Test	100,000 times	100,000 times
Burst Pressure	6	6
Elements Quantity	1-8	1-8
Operating pH Range	pH 3-11	pH 3-11
Operating Temperature	-10°C-66°C (14°F -150°F)	-10°C-66°C (14°F -150°F)
Feed / Concentration Port	1.5"	1.5"
Pemate Port	1"	1"



8" FRP Housing Size



Membrane Quantity	1	2	3	4
300PSI	232*232*1531	232*232*2547	232*232*3563	232*232*4579
450PSI	235*235*1543	235*235*2559	235*235*3575	235*235*4591
600PSI	250*250*1577	250*250*2593	250*250*3609	250*250*4625
1000PSI	265*265*1623	265*265*2639	265*265*3655	265*265*4671
1200PSI	270*270*1629	270*270*2645	270*270*3661	270*270*4677
Membrane Quantity	5	6	7	8
300PSI	232*232*5595	232*232*6611	232*232*7627	232*232*8643
450PSI	235*235*5607	235*235*6623	235*235*7639	235*235*8655
600PSI	250*250*5641	250*250*6657	250*250*7673	250*250*8689
1000PSI	265*265*5687	265*265*6703	265*265*7719	265*265*8735
1200PSI	270*270*5693	270*270*6709	270*270*7725	270*270*8741

Unit: mm (D1*D2*L)



8" End Port / Low Pressure



8" End Port / High Pressure

